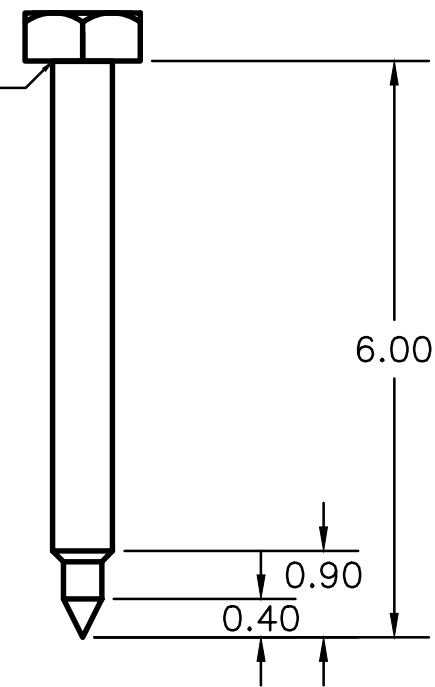
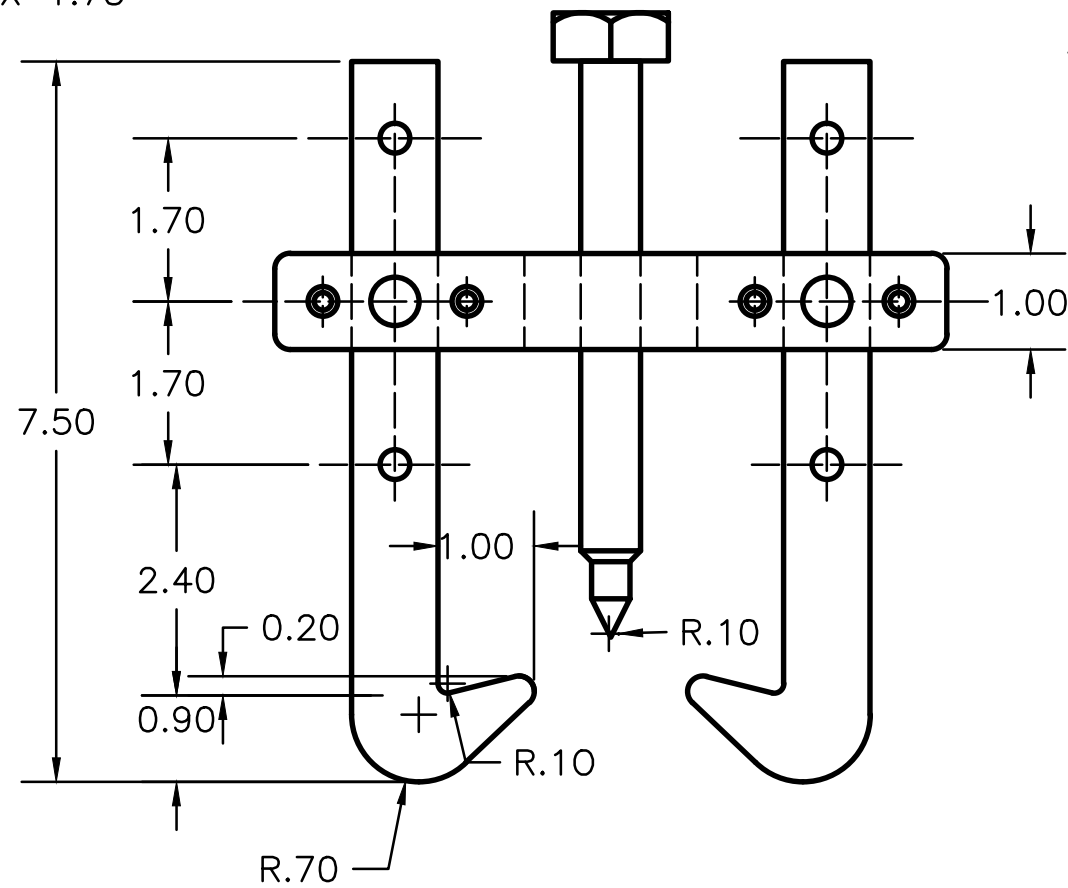


FIL HD CAP SCREW .312-18
UNC X 1.75

.625-11 UNC, ASME B1.1



NOTE-REMOVE ALL SHARP EDGES

DIGITAL DESIGN GRAPHICS TECHNOLOGY	NAME	DWG NAME:	PAGE #
	COURSE: DDGT		
	DATE:	SCALE:	